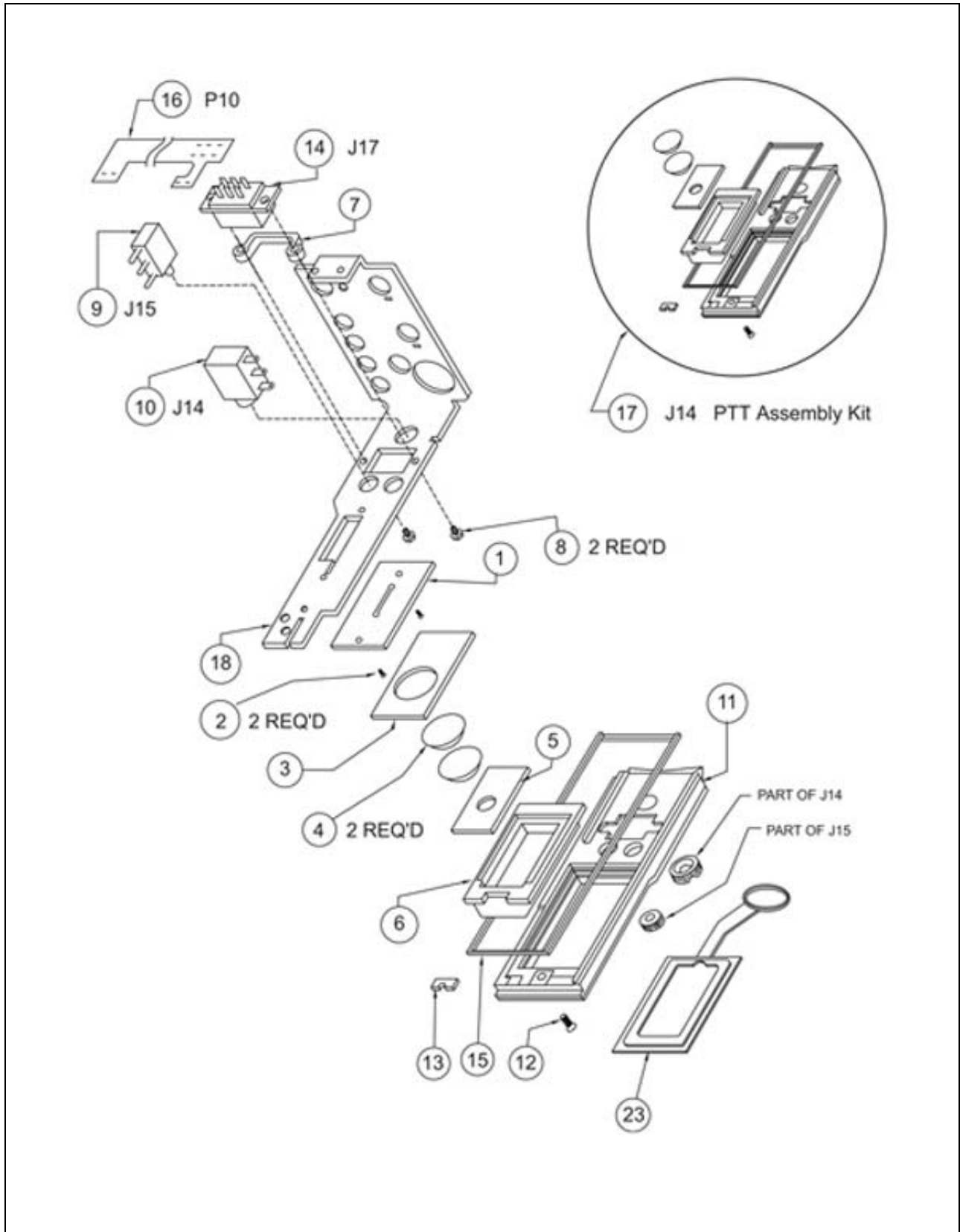


# DPH/GPH/EPH/LPH Parts Lists

## Push-to-Talk Assembly



**DPH/GPH/EPH/LPH Parts Lists**  
**Push-to-Talk Assembly**

Ref #	Part #	Description
1	N/A	Bd, Pc, PTTSW
2	N/A	Rivet, .06X.125, Br
3	3110-20032-600	Snap, Dome, Alignment
4	5112-40010-900	Switch, Snap, Dome
5	1411-40005-500	Actuator, PTT, Molded, EP
6	1411-50703-000	PTT, Sw Boot, Molded, EP
7	1411-40005-900	Options, Plug-Spacer, Molded, EP
8	2820-30603-022	Scr, MS, 2X.40X6, T1CR, PH, SS
9	2101-20033-001	Jack, Phono, 2.5MM (J15)
10	2101-20033-100	Jack, 3.5MM (J14)
11	1411-50702-104	Housing, PTT, GPH
12	2801-30714-512	Scr, MS, 2-56, X5/16
13	3110-20032-500	Insulatr, Shim, PTT-HSG
14	2105-20032-300	Conn, Receptacle (J17)
15	2512-40011-200	Gasket, PTT
16	1700-60705-900	Bd, Pc, Flexcir (P10)
17	LAA0646	PTT Assembly Kit, Complete
18	1403-50704-302	Chassis, Topframe, w/finish
23	1411-40006-200	Conn, Side, Cvr, Molded, EP