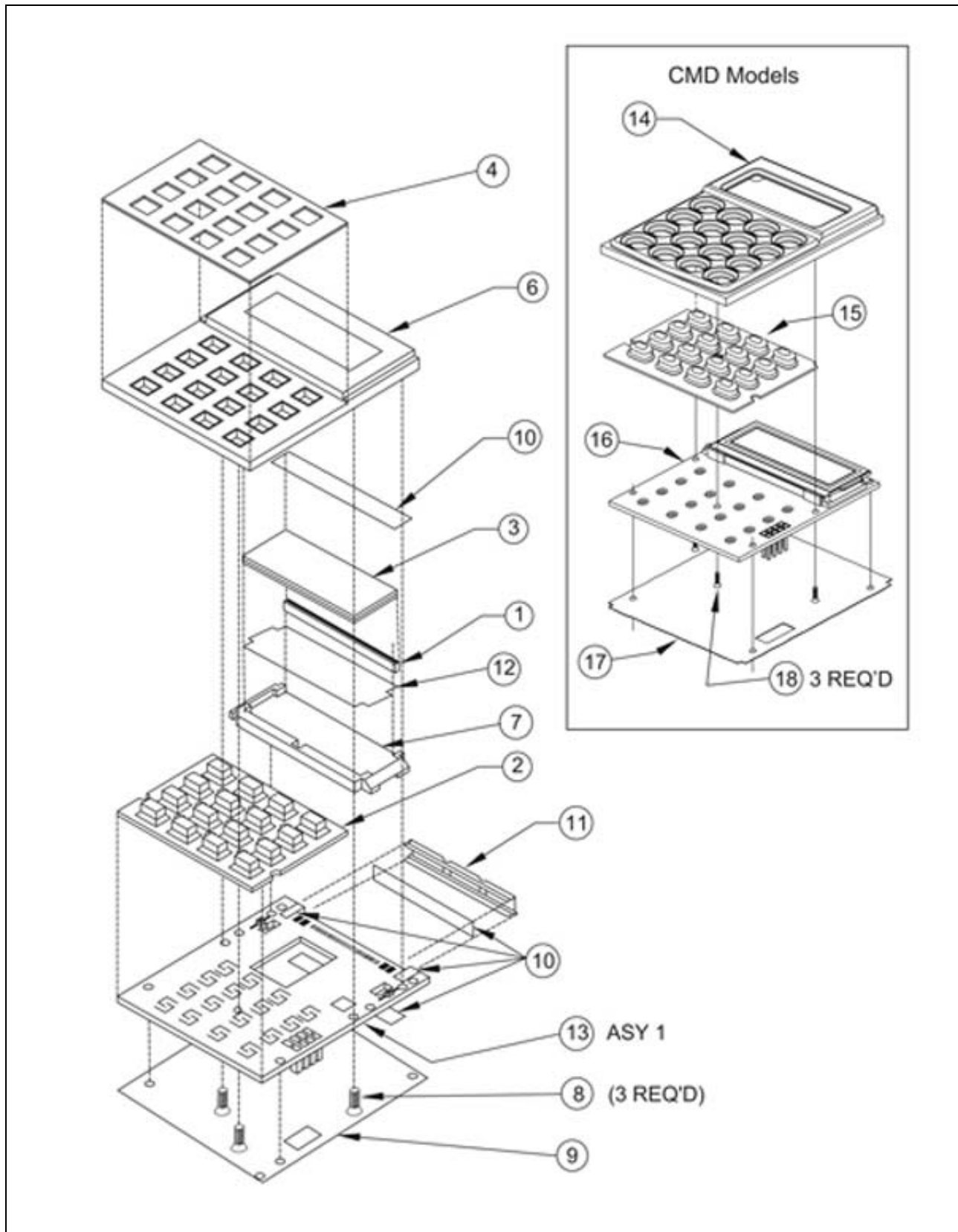


# DPH/GPH/EPH/LPH Parts Lists Keyboard/Display Assembly



**DPH/GPH/EPH/LPH Parts Lists**  
**Keyboard/Display Assembly**

Ref #	Part #	Description
1	2105-20002-704	Conn,Zebra,
2	2001-50542-501	KYBD
3	2003-20053-100	LCD
4	2509-40012-202	Inlay,Keybd,Blk,GPH
6	1411-20026-301	Housing w/Lense ,Black
7	1411-50701-901	Light,Pipe_Display,Molded
8	2816-30434-012	Scr,2-28x.156,FPH
9	2512-20034-101	Gasket,Kybd-Display
10	1601-20036-204	Tape,Elec,1/4WD,
11	2830-20030-001	Clip,LCD,
12	3904-20046-400	Diffuser,Mylar
13	NA	Board Assembly
14	1411-30959-600	Housing w/Lense (CMD)
15	2001-30959-701	Inlay,Keybd,Blk,CMD
16	NA	Board Assembly
17	2512-20034-101	Gasket,Kybd-Display
18	2816-30434-012	Scr,2-28x.156,FPH